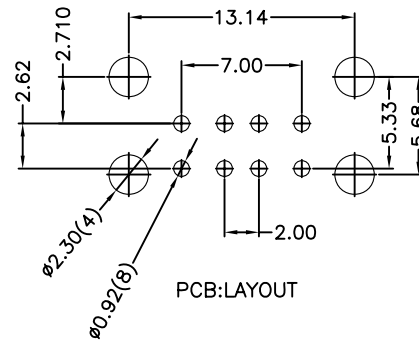
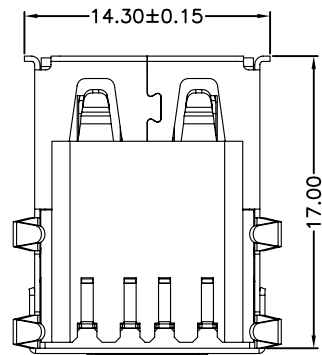


1. Electrical Characteristics:  
 Voltage Current rating: 1AMP.30V AC  
 Dielectric Withstanding Voltage: AC 500V R.M.S.  
 Insulation Resistance: 500MΩ min  
 Contact Resistance: 30mΩ max
2. Environmental  
 Operating Temperature: -40°C to 60°C
3. Mechanical Characteristics:  
 Matching Cycles: 1500 Cycles  
 Mating Force: 3.57Kgf Max  
 Unmating Force: 1.02Kgf Min
4. Material  
 Housing: P.B.T Thermoplastics UL94V-0,  
 Terminal: Copper Alloy, T=0.25mm, Contact area  
 plating Au 1u", 3u", 5u", 10u", 15u", 30u"  
 Shell : Copper Alloy, T=0.30mm



凱帛企業有限公司  
 KABO ENTERPRISE CO., LTD.

|  |               |
|--|---------------|
| DESCRIPTION(內容)                          | DRAWN(製圖)     |
| Double USB A DIP R/A 8PIN TYPE (白膠)      | CHECKED(確認):  |
| PART NO:<br>(料號) Double USB-A-2011-0891N | APPROVAL(核准): |
| DWG NO(圖號):                              |               |

|                            |            |
|----------------------------|------------|
| GENERAL TOLERANCE:<br>(公差) | REV: A     |
| .X ±0.30                   | UNIT: mm   |
| .XX ±0.15                  | SIZE: A4   |
| SCALE(比例): 1:XX            | SHEET: 1/1 |

|     |             |            |
|-----|-------------|------------|
| REV | DESCRIPTION | DATE       |
| 1   |             | 2013.08.05 |
| 2   |             |            |
| 3   |             |            |
| 4   |             |            |